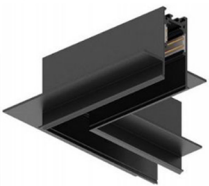


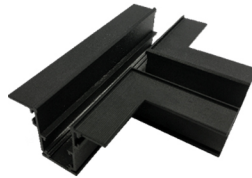
specification	
Model Number:	NX-MTR01 Recessed
Product Size :	31mm x 48mm
CUT OUT Size:	35mm x 45mm
Surface :	Black
Warranty :	5 years



Joint level  
for MTR-01



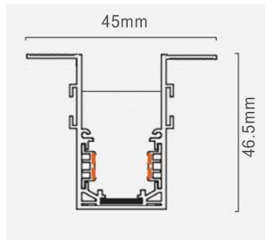
Joint Vertical  
for MTR-01



Joint T Level  
for MTR-01



Plug  
for MTR-01



specification	
Model Number:	NX-MTR03 Recessed
Product Size :	45mm x 48mm
CUT OUT Size:	27mm x 48mm
Surface :	Black
Warranty :	5 years



Joint level  
for MTR-03



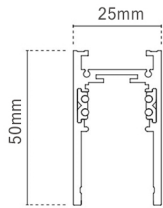
Joint Vertical  
for MTR-03



Joint T Level  
for MTR-03



Plug  
for MTR-03



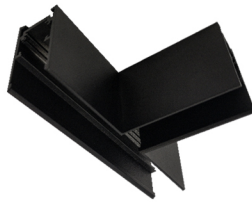
specification	
Model Number:	NX-MTR02 Mounted
Product Size :	31mm x 48mm
Surface :	Black
Warranty :	5 years



Joint level  
for MTR-02



Joint Vertical  
for MTR-02



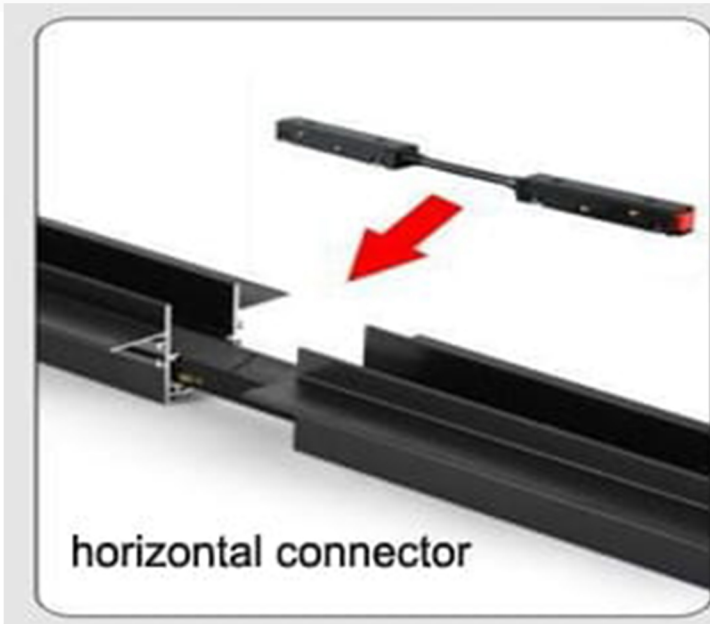
Joint T Level  
for MTR-02



Plug  
for MTR-02



Hanging Line Bag  
for MTR-02



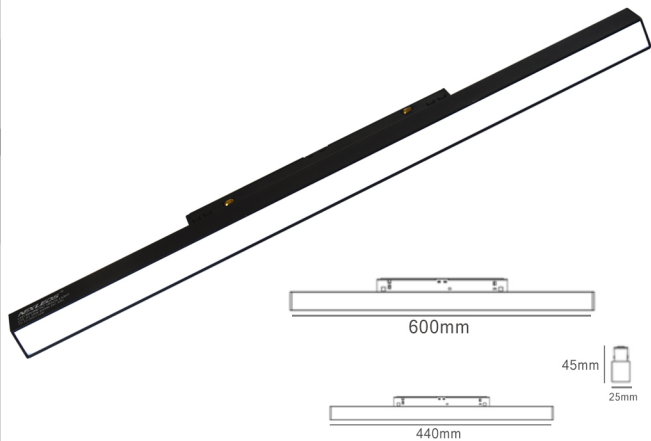
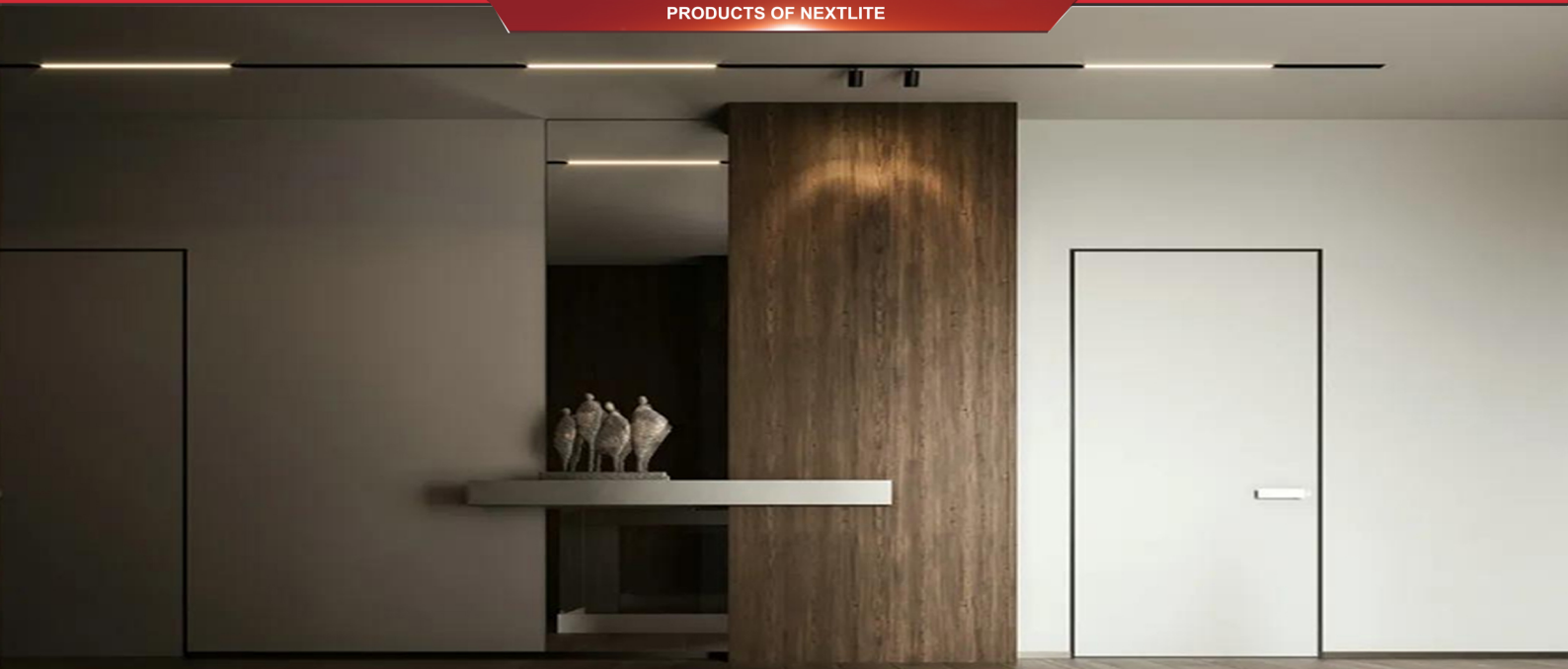
specification	
Model Number:	Connector Mini
	used for connecting the driver and rails(non dimmable) plastic
Surface :	Black
Warranty :	5 years



specification	
Model Number:	Connector T
	used for connecting the driver and rails(non dimmable) plastic
Surface :	Black
Warranty :	5 years



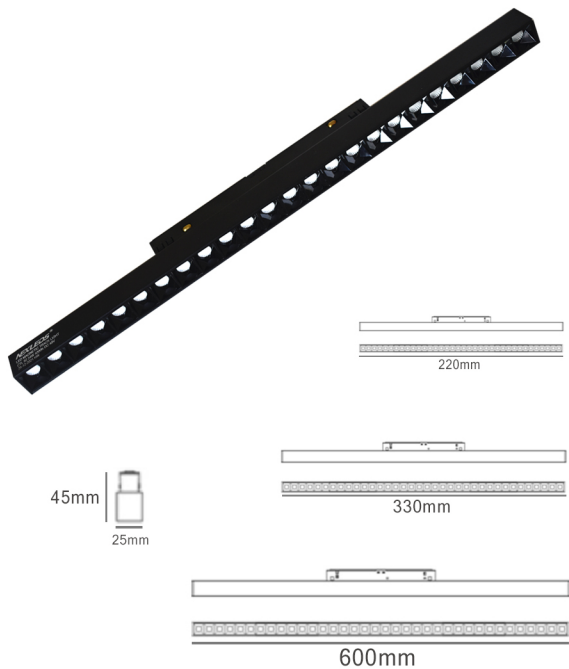
specification	
Model Number:	Connector L
	used for connecting the driver and rails(non dimmable) plastic
Surface :	Black
Warranty :	5 years



**specification**

Model Number:	NX-CTL91
Input Power :	DC 48V
Color Temp.:	4000K
CRI :	> 80
Warranty :	5 years

18 Watt	L : 440mm, W : 22mm, H : 45mm
24 Watt	L : 600mm, W : 22mm, H : 45mm

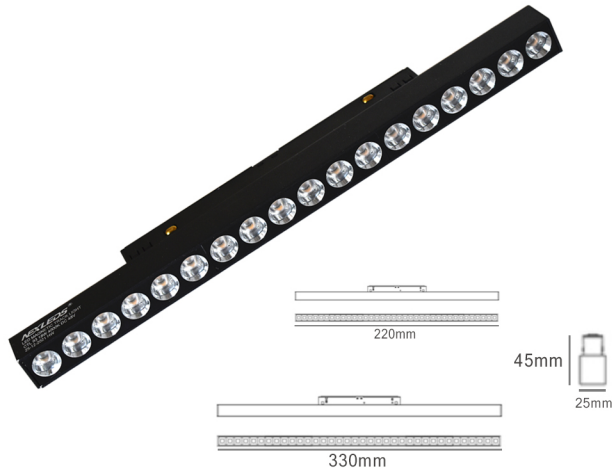
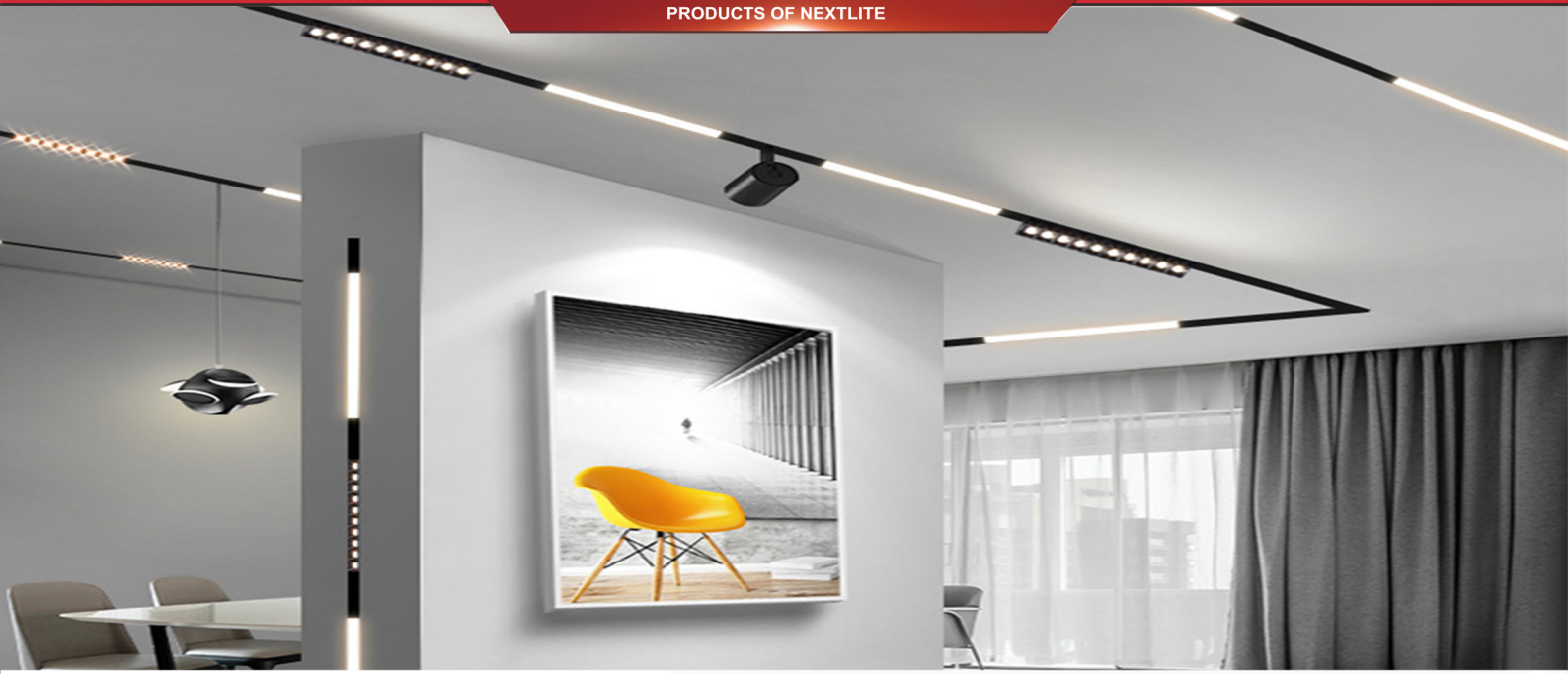


**specification**

Model Number:	NX-CTL92
Input Power :	DC 48V
Color Temp.:	4000K
CRI :	> 80
Warranty :	5 years

12 Watt	L : 220mm, W : 22mm, H : 45mm
18 Watt	L : 330mm, W : 22mm, H : 45mm
24 Watt	L : 660mm, W : 22mm, H : 45mm

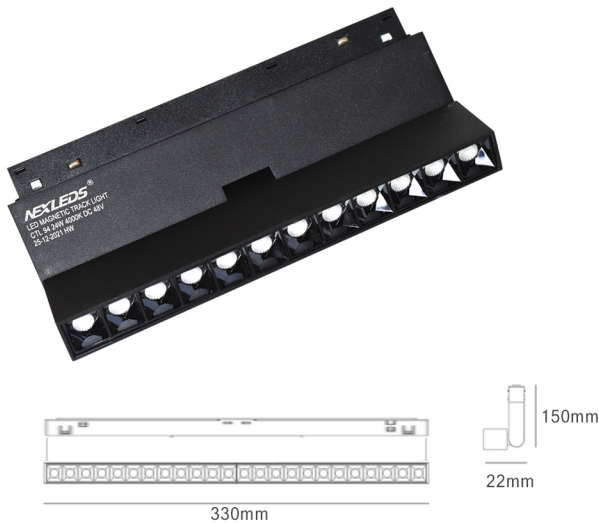




**specification**

Model Number:	NX-CTL93
Input Power :	DC 48V
Color Temp.:	4000K
CRI :	> 80
Warranty :	5 years

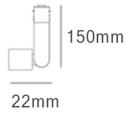
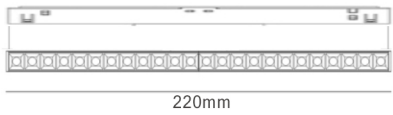
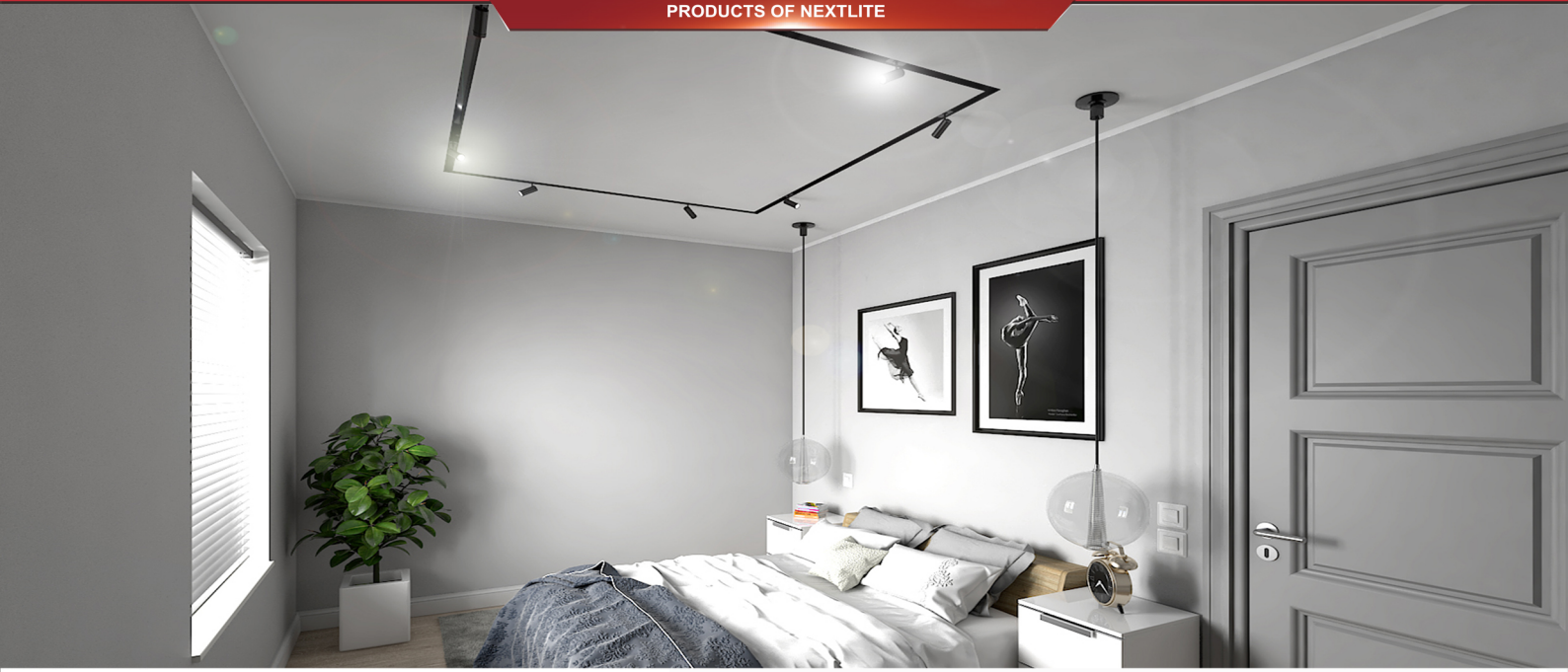
12 Watt	L : 220mm, W : 22mm, H : 45mm
18 Watt	L : 330mm, W : 22mm, H : 45mm



**specification**

Model Number:	NX-CTL94
Input Power :	DC 48V
Color Temp.:	4000K
CRI :	> 80
Warranty :	5 years

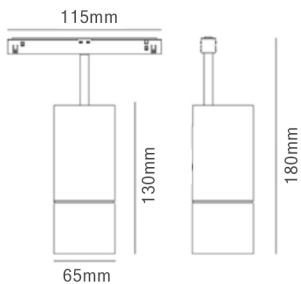
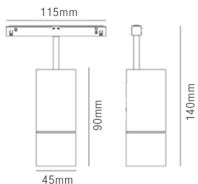
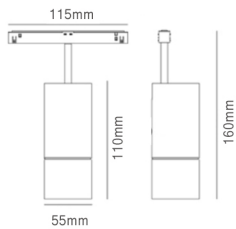
12 Watt	L : 220mm, W : 22mm, H : 150mm
24 Watt	L : 220mm, W : 22mm, H : 150mm



**specification**

Model Number:	NX-CTL95
Input Power :	DC 48V
Color Temp.:	4000K
CRI :	> 80
Warranty :	5 years

12 Watt L : 220mm, W : 22mm, H : 150mm



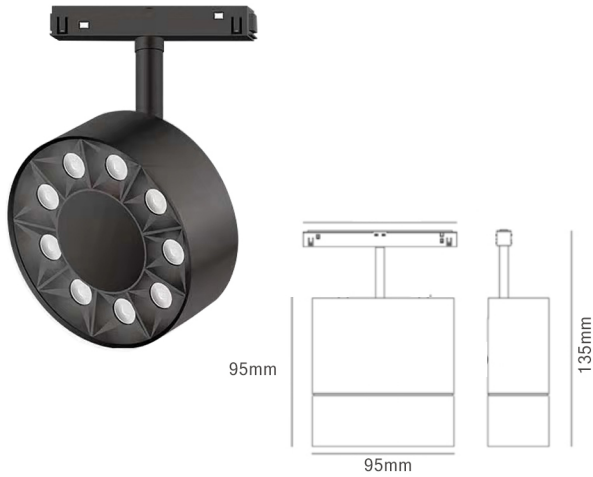
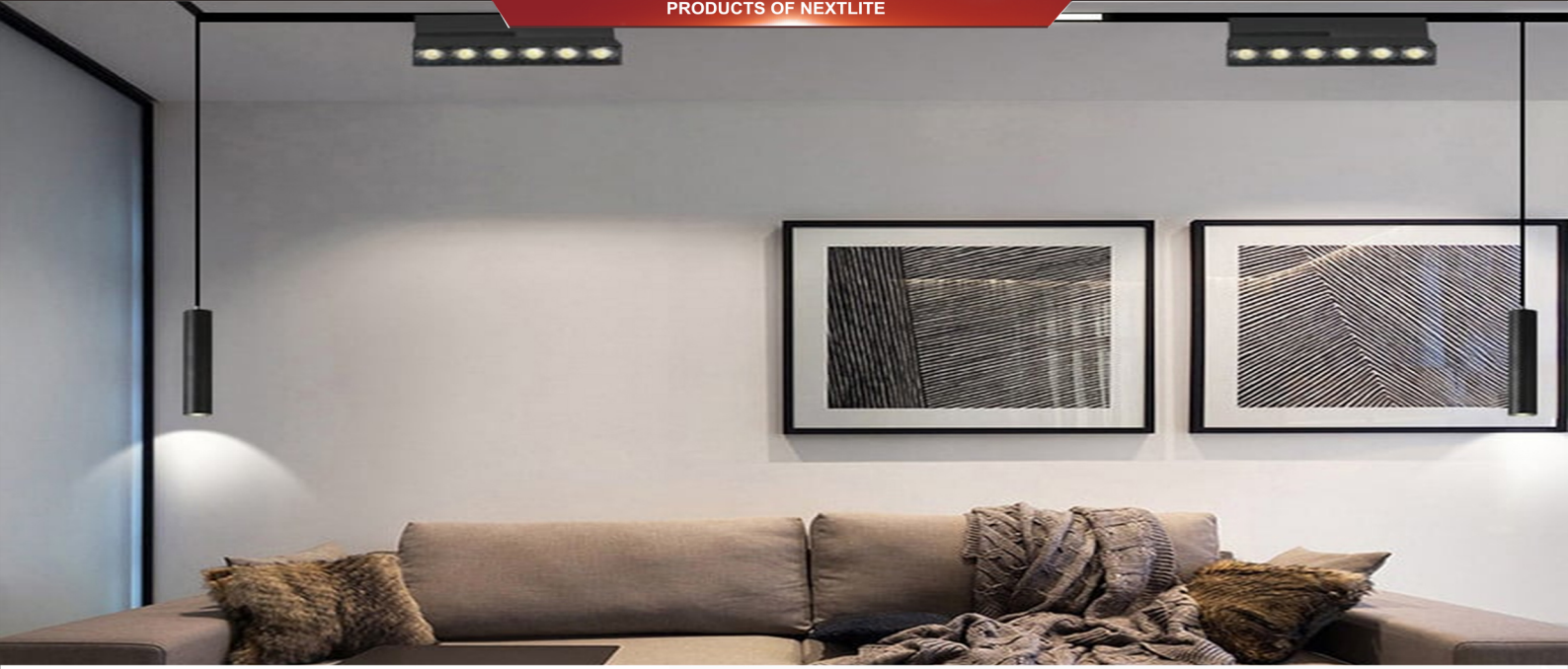
**specification**

Model Number:	NX-CTL96
Input Power :	DC 48V
Color Temp.:	4000K
CRI :	> 80
Warranty :	5 years

9 Watt 45 mm x 90 mm

18 Watt 55 mm x 110 mm

25 Watt 65 mm x 130 mm



**specification**

Model Number:	NX-CTL97
Input Power :	DC 48V
Color Temp.:	4000K
CRI :	> 80
Warranty :	5 years

10 Watt	95 mm x 135 mm
---------	----------------

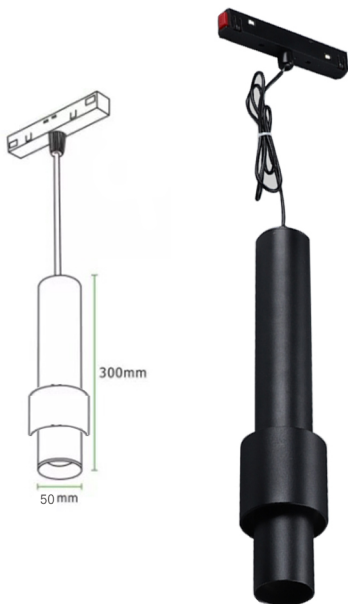


**specification**

Model Number:	NX-CTL98
Input Power :	DC 48V
Color Temp.:	4000K
CRI :	> 80
Warranty :	5 years

7 Watt	40 mm x 300 mm
--------	----------------





**specification**

Model Number:	NX-CTL99
Input Power :	DC 48V
Color Temp.:	4000K
CRI :	> 80
Warranty :	5 years

10 Watt	50 mm x 300 mm
---------	----------------



**specification**

Model Number:	100W, 200W Internal Driver
Input Power :	AC 220V
Output Power :	DC 48V
Frequency :	50/60Hz
Warranty :	5 years

100 Watt	300 mm x 22 mm X 45 mm
200 Watt	300 mm x 22 mm X 45 mm